



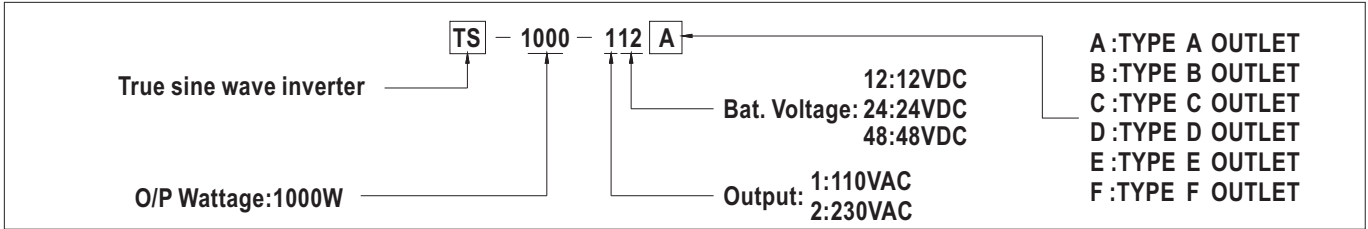
■ Features :

- True sine wave output (THD<3%)
- High surge power up to 2000W
- High efficiency up to 92%
- Power ON-OFF switch
- Standby saving mode can be selected
- Front panel indicator for operation status
- Built-in fan ON-OFF control function
- Protections: Bat. low alarm / Bat. low shutdown / Over voltage / Over temp. / Output short / Input reverse polarity / Overload
- Application : Home appliance, power tools, office and portable equipment, vehicle and yacht ...etc.
- 3 years warranty



SPECIFICATION

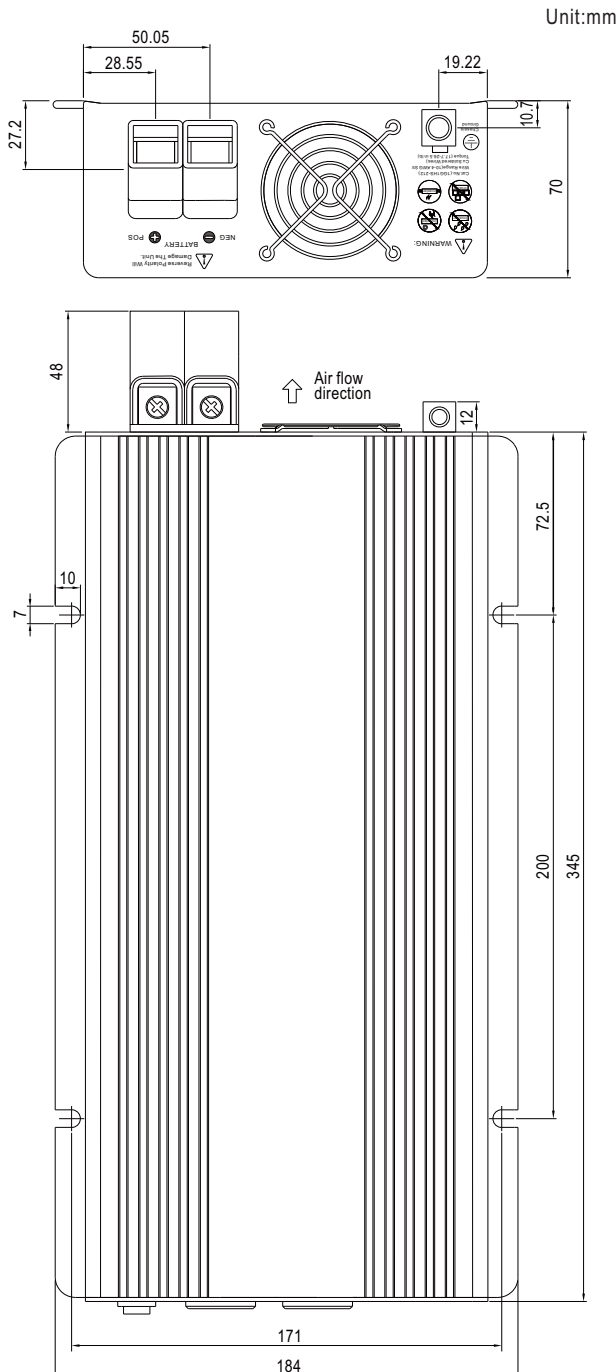
| MODEL | TS-1000-112□ | TS-1000-124□ | TS-1000-148□ | TS-1000-212□ | TS-1000-224□ | TS-1000-248□ |
|---|---|--------------------------|---|---|-------------------------------|--------------|
| OUTPUT | RATED POWER (Typ.) 1000W | | | | | |
| | MAXIMUM OUTPUT POWER (Typ.) 1150W for 180 sec. / 1500W for 10 sec. / surge power 2000W for 30 cycles | | | | | |
| | AC VOLTAGE | | | AC VOLTAGE | | |
| | Factory setting set at 110VAC | | | Factory setting set at 230VAC | | |
| | 100 / 110 / 115 / 120VAC selectable by setting button S.W | | | 200 / 220 / 230 / 240VAC selectable by setting button S.W | | |
| | FREQUENCY | | | FREQUENCY | | |
| | 60±0.1Hz 50/60Hz selectable by setting button S.W | | | 50±0.1Hz 50/60Hz selectable by setting button S.W | | |
| WAVEFORM Note.6 True sine wave (THD<3%) | | | | | | |
| AC REGULATION (Typ.) ±3.0% | | | | | | |
| SAVING MODE (Typ.) Default disabled. Load ≤5W will be changed to standby mode | | | | | | |
| FRONT PANEL INDICATOR Battery voltage level, output load level, saving mode, fault and operation status | | | | | | |
| INPUT | BAT. VOLTAGE | | BAT. VOLTAGE | | BAT. VOLTAGE | |
| | 12V | | 24V | | 48V | |
| | VOLTAGE RANGE (Typ.) Note.4,6 | | VOLTAGE RANGE (Typ.) Note.4,6 | | VOLTAGE RANGE (Typ.) Note.4,6 | |
| | 10.5 ~ 15VDC | | 21 ~ 30VDC | | 42 ~ 60VDC | |
| | DC CURRENT (Typ.) | | DC CURRENT (Typ.) | | DC CURRENT (Typ.) | |
| | 100A | | 50A | | 25A | |
| | NO LOAD DISSIPATION (Typ.) ≤6W @ standby saving mode | | | | | |
| OFF MODE CURRENT DRAW ≤1mA | | | | | | |
| EFFICIENCY (Typ.) Note.1 | | EFFICIENCY (Typ.) Note.1 | | EFFICIENCY (Typ.) Note.1 | | |
| 88% | | 89% | | 90% | | |
| BATTERY TYPES Open & sealed lead acid | | | | | | |
| BATTERY INPUT PROTECTION | FUUSE | | FUUSE | | FUUSE | |
| | 40A*4 | | 40A*2 | | 20A*2 | |
| | BAT. LOW ALARM | | BAT. LOW ALARM | | BAT. LOW ALARM | |
| | 11.3±4% | | 22.5±4% | | 45±4% | |
| BAT. LOW SHUTDOWN | | BAT. LOW SHUTDOWN | | BAT. LOW SHUTDOWN | | |
| 10.5±4% | | 21±4% | | 42±4% | | |
| REVERSE POLARITY By internal fuse open | | | | | | |
| OUTPUT PROTECTION | OVER TEMPERATURE | | | OVER TEMPERATURE | | |
| | 90°C ± 5°C | | | 70°C ± 5°C | | |
| | Protection type : Shut down o/p voltage, re-power on to recover; by internal RTH3 detect on heatsink of power diode | | | | | |
| | OUTPUT SHORT Protection type : Shut down o/p voltage, re-power on to recover | | | | | |
| OVER LOAD (Typ.) 105 ~ 115% load for 180 sec., 115% ~ 150% load for 10 sec. | | | | | | |
| Protection type : Shut down o/p voltage, re-power on to recover | | | | | | |
| GFCI PROTECTION Optional (Only type F) None | | | | | | |
| ENVIRONMENT | WORKING TEMP. Note.3 0 ~ +40°C @ 100% load ; +60°C @ 50% load | | | | | |
| | WORKING HUMIDITY 20% ~ 90% RH non-condensing | | | | | |
| | STORAGE TEMP., HUMIDITY -30 ~ +70°C / -22 ~ +158°F, 10 ~ 95% RH | | | | | |
| | VIBRATION 10 ~ 500Hz, 3G 10min./1cycle, 60min. each along X, Y, Z axes | | | | | |
| SAFETY & EMC | SAFETY STANDARDS UL458 (only for "GFCI" receptacle-Type F) None | | | | | |
| | LVD | | | LVD | | |
| | None | | | EN60950-1 | | |
| | WITHSTAND VOLTAGE Bat I/P - AC O/P:3.0KVAC AC O/P - FG:1.5KVAC | | | | | |
| | ISOLATION RESISTANCE AC O/P-FG, Bat I/P-FG:100M Ohms/500VDC / 25°C / 70% RH | | | | | |
| | EMC EMISSION | | | EMC EMISSION | | |
| Compliance to FCC class A | | | Compliance to EN55022 class A, 72/ 245/ CEE, 95/ 54/ CE, E-Mark | | | |
| EMC IMMUNITY None Compliance to EN61000-4-2,3,8 | | | | | | |
| OTHERS | MTBF 66.9K hrs min. MIL-HDBK-217F (25°C) | | | | | |
| | DIMENSION 345*184*70mm (L*W*H) | | | | | |
| | PACKING 4.3Kg; 2pcs/9.6Kg/1.16CUFT | | | | | |
| | COOLING Loading controlled cooling fan for GFCI receptacle-type F ; Thermostatically controlled cooling fan for others. | | | | | |
| NOTE | <p>1.Efficiency is tested by 750W, linear load at 13V, 26V, 52V input voltage.</p> <p>2.All parameters not specified above are measured at rated load, 25°C of ambient temperature and set to factory setting.</p> <p>3.Output derating capacity referenced by curve 1.</p> <p>4.Input derating capacity referenced by curve 2.</p> <p>5.The tolerance of each voltage value by models is:112/212→±0.5V;124/224→±1V;148/248→±2V</p> <p>6.TH.D is tested by 1000W, linear load at 13,26,52V input voltage.</p> | | | | | |



■ AC Output Receptacles (optional)

| Receptacle type | | | | | | |
|-----------------|-----|--------|-----------|-----|-------|------|
| Country | USA | EUROPE | AUSTRALIA | U.K | JAPAN | GFCI |
| Certificate | | | | | | |

■ Mechanical Specification



■ Derating Curve

